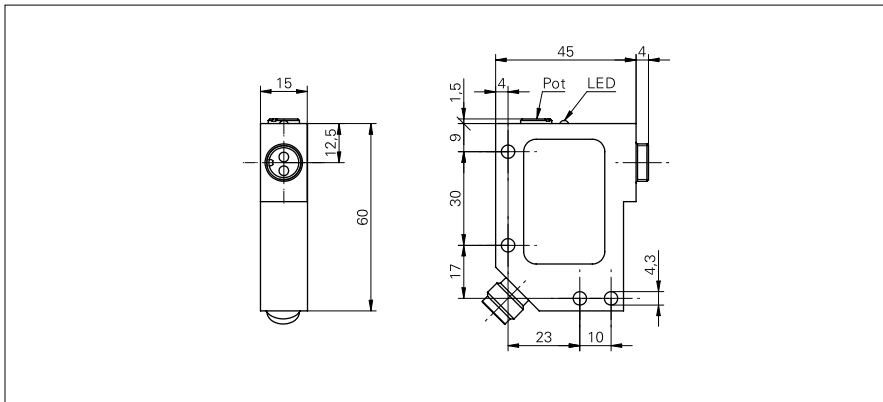


Fiber optic sensors & cables

FVDM 15P5130/S14

dimension drawing



general data

actual range Sb	1200 mm
sensing distance Tw	240 mm
light source	pulsed infrared diode
light indicator	LED yellow
alignment / soiled lens indicator	LED, flashing
adjustment	potentiometer, 20 turn
wave length	880 nm
suppression of reciprocal influence	yes

electrical data

response time / release time	< 0,1 ms
voltage supply range +Vs	10 ... 30 VDC
current consumption max. (no load)	60 mA
current consumption typ.	50 mA
voltage drop Vd	< 1,8 VDC
output function	light / dark operate
output circuit	PNP
output current	< 200 mA
short circuit protection	yes
reverse polarity protection	yes

mechanical data

width / diameter	15 mm
height / length	60 mm
depth	45 mm
type	rectangular
housing material	die-cast aluminum
connection types	connector M12 4 pin

ambient conditions

operating temperature	-25 ... +65 °C
protection class	IP 65

photo



connection diagram

